

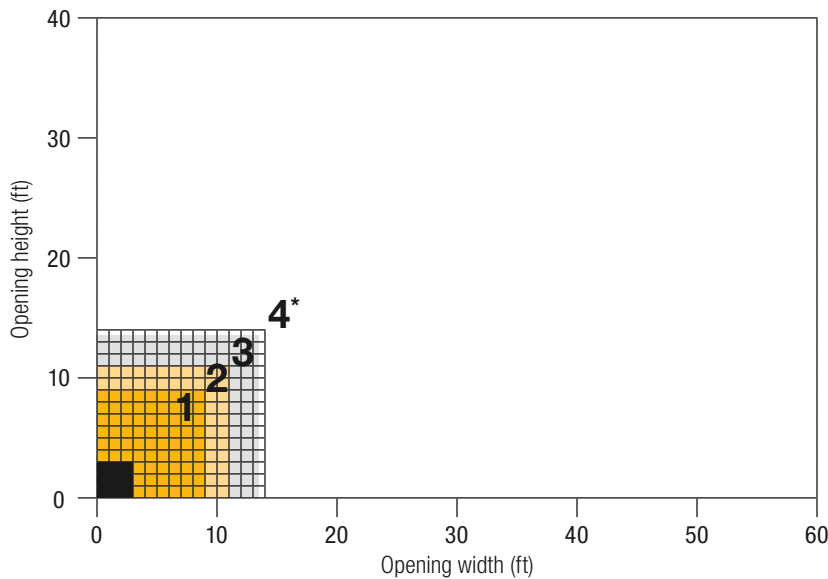
ROLLING FIRE DOOR

MODEL CERD10



MEASURE THE WIDTH AND HEIGHT OF THE OPENING

UL LABELED DOOR SIZE AND AREA: MAX 1,463 FT²

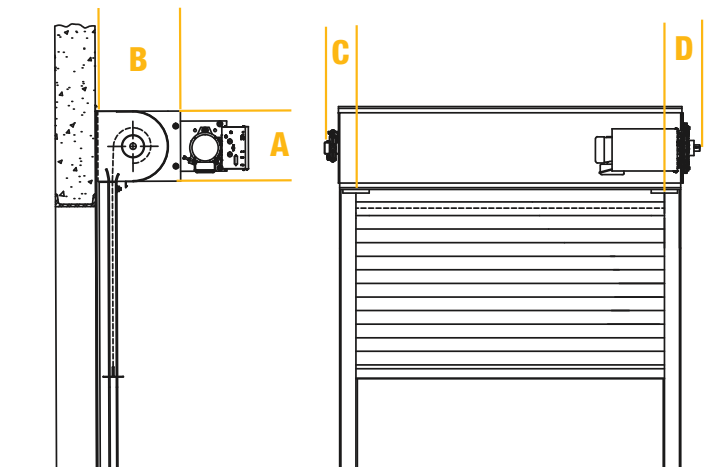


*Fire doors in this range will receive an oversized UL label. Specific dimensions are subject to change based on configurations and field conditions. Larger doors may be possible; please contact the factory for assistance.

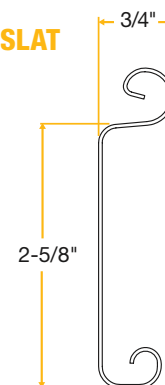
COMPONENT DIMENSIONS

Reference the zone number to view component dimensions for tube motorized doors.

Dimensions (in)	1	14	16	7	7
	2	15	17	7	7
	3	16	18	7	7
	Zone	A	B	C	D



STANDARD SLAT

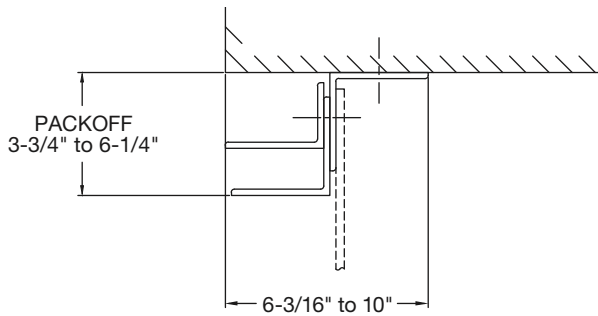


The dimensions featured on this sheet are provided as a guide.

GUIDE CONSTRUCTION OPTIONS

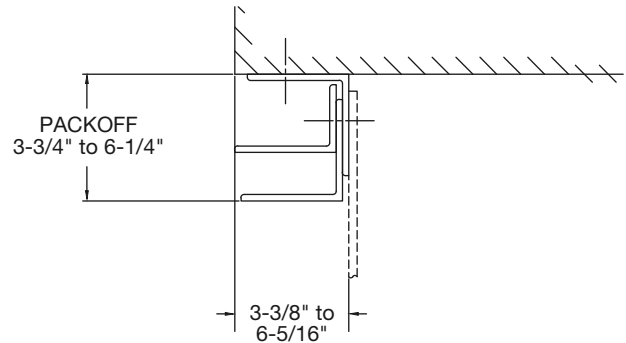
FACE OF WALL Z

Typically used with masonry wall construction, guides are mounted to the interior or exterior side of the wall.



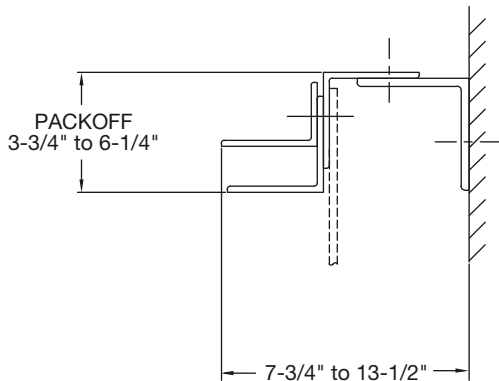
FACE OF WALL E

Typically used with steel jambs, guides are mounted to the interior or exterior side of the wall.



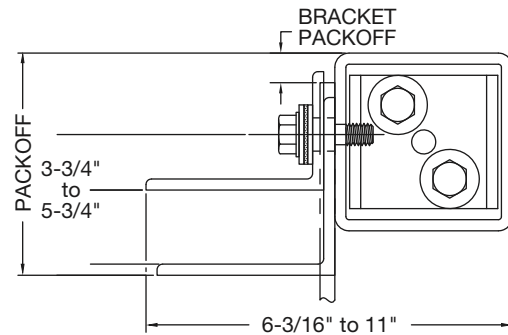
BETWEEN JAMBS

Used when side clearance is minimal, guides are mounted to the inside of the jamb.



BETWEEN JAMBS WITH TUBES

Typically used if there's no wall support, and tubes and guides need to be recessed within the wall construction.



The dimensions featured on this sheet are provided as a guide.

CUSTOM-DESIGNED SOLUTIONS

Contact our experienced Architectural Design Support Team for help in customizing our products to fit your specific application at www.architectdoorhelp.com.



For more information on these and other Clopay products, visit clopaycommercial.com. Architects and specifiers, visit architectdoorhelp.com.



©2024 Clopay Corporation. All rights reserved.

