

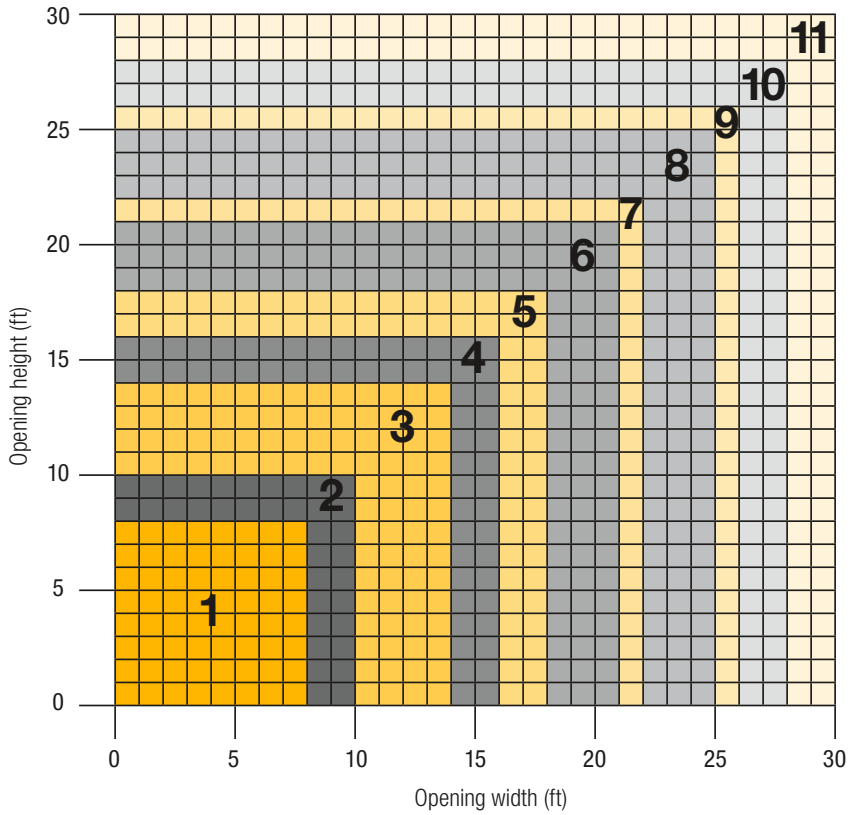
# SERVICE DOOR

MODEL CESD10



## MEASURE THE WIDTH AND HEIGHT OF THE OPENING

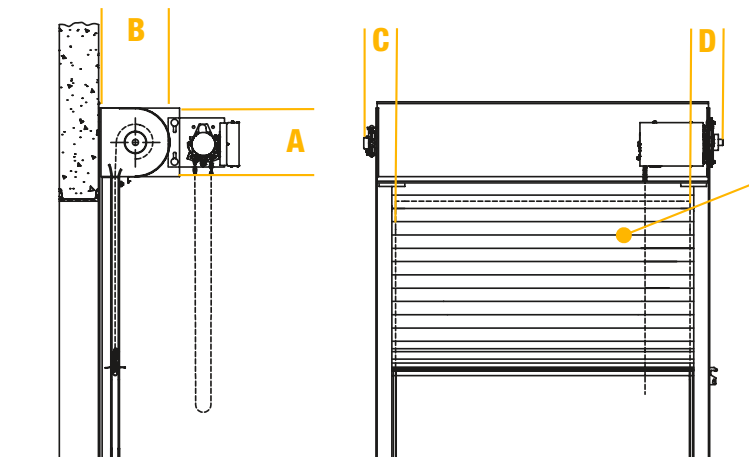
### DOOR SIZE AND AREA



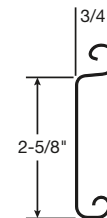
### COMPONENT DIMENSIONS

Reference the zone number to view component dimensions for tube motorized doors.

1	14	16	5	7
2	15	17	5	7
3	16	18	5	7
4	17	19	5	9
5	18	20	5	9
6	19	21	5	9
7	20	22	7	9
8	21	23	7	9
9	22	24	7	11
10	23	25	7	11
11	24	26	7	11
Zone	A	B	C	D



### CURTAIN SLAT DESIGN



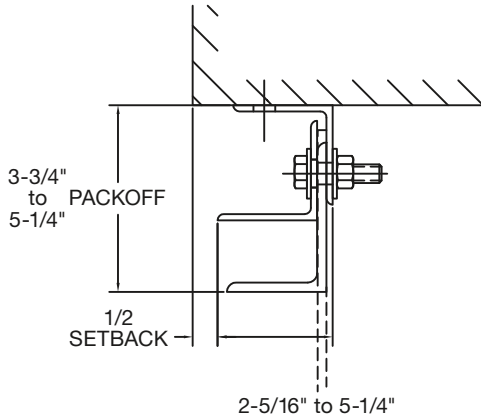
The dimensions featured on this sheet are provided as a guide.

GUIDE CONSTRUCTION OPTIONS

FACE OF WALL

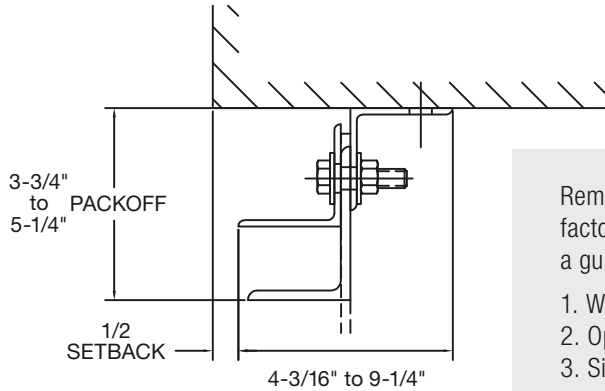
**E GUIDE**

Typically used with steel jamb.



**Z GUIDE**

Typically used with masonry wall construction.



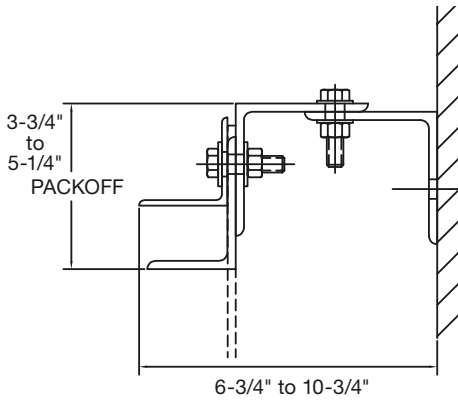
Remember, three main factors when choosing a guide assembly are:

1. Wall construction
2. Operation
3. Side clearance

BETWEEN JAMBS

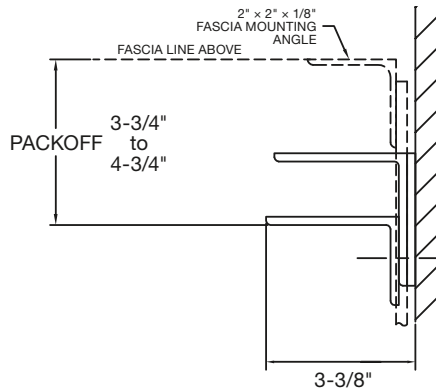
**4 ANGLE**

Most common for doors with chain/crank/motor operation.



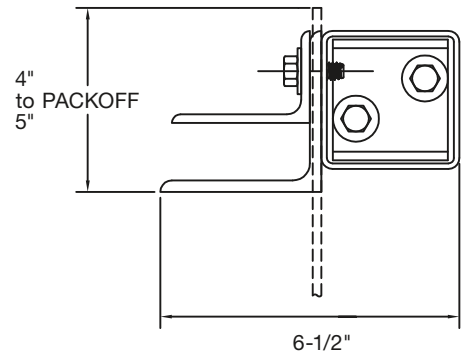
**2 ANGLE**

Typically used for small push-up doors that can utilize an inside spring adjustor.



**2 ANGLE – TUBES**

Typically used if there's no wall support, or tubes and guides need to be recessed within the wall construction.



The dimensions featured on this sheet are provided as a guide.

CUSTOM-DESIGNED SOLUTIONS

Contact our experienced Architectural Design Support Team for help in customizing our products to fit your specific application at [www.architectdoorhelp.com](http://www.architectdoorhelp.com).



For more information on these and other Clopay products, visit [clopaycommercial.com](http://clopaycommercial.com). Architects and specifiers, visit [architectdoorhelp.com](http://architectdoorhelp.com).

